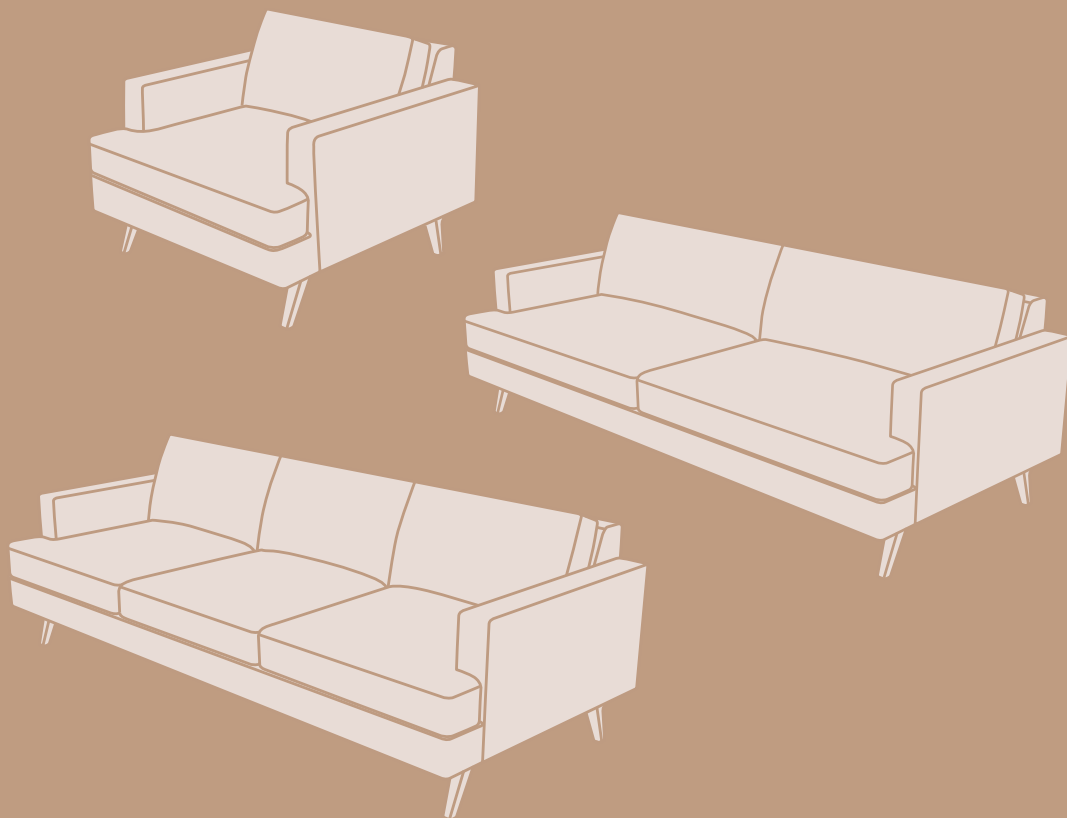


# ALBANY PARK

A COZY HOME BEGINS HERE



Lido Assembly Instructions

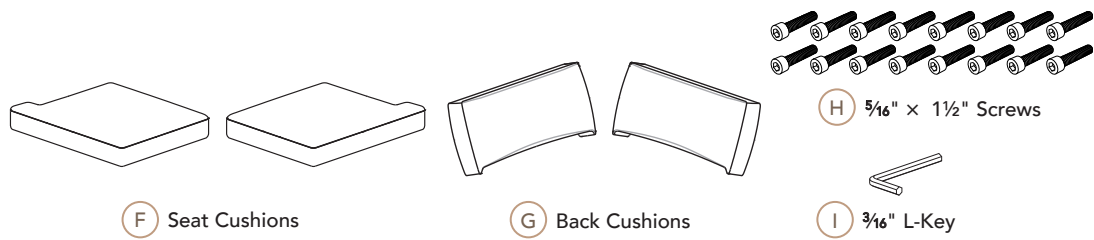
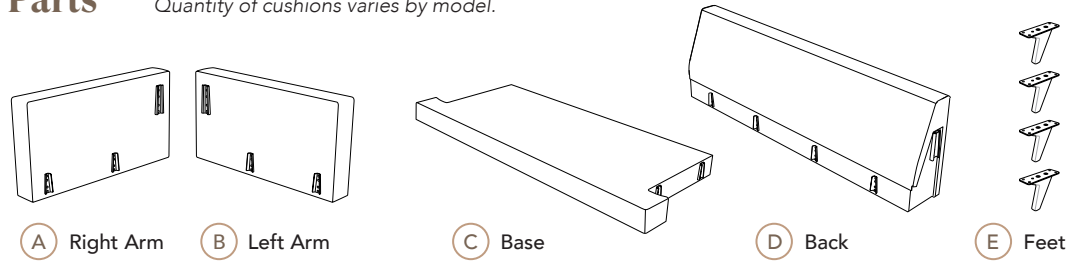
## Video Available

SEE HOW IT'S DONE  
Scan the QR code to  
watch the assembly video.



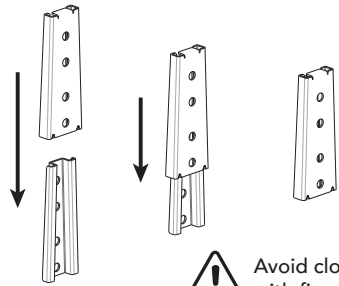
## Parts

Quantity of cushions varies by model.



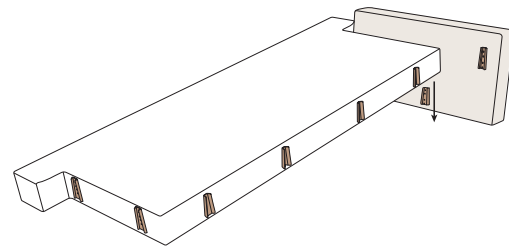
### CONNECTING THE SOFA PARTS

The brackets nest together like this...

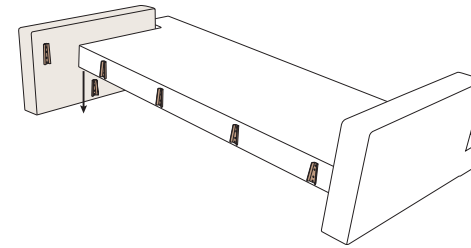


Avoid close contact  
with fingers.

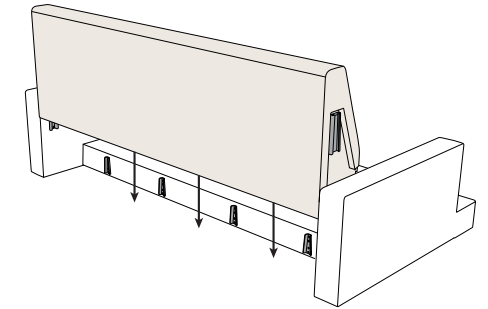
1. Attach the right arm to the base.



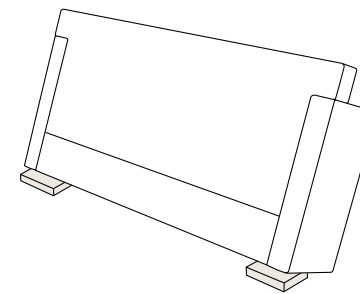
2. Attach the left arm to the base.



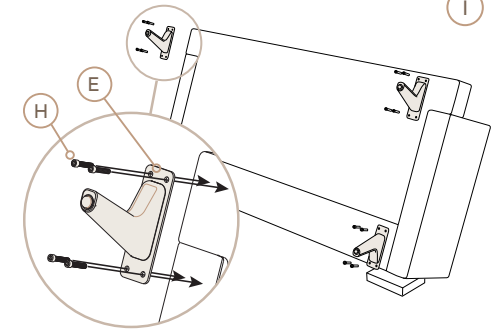
3. Attach the back to the base.



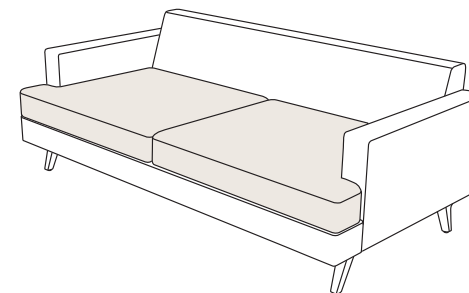
4. Lean the assembly onto its back and prop the bottom edge up with small blocks or boxes.



5. Make sure the bends of the feet face inward and attach them using the provided L-key.



6. Settle the seat cushions onto the base.



7. Nestle the back cushions against the back.

